

CAROMA



Installation Guide

I fVUbY`≡9`YWfcb]W6]XYhGYUñ
300071W | 300095W

Safety Precautions

WARNING



WARNING

- Battery is hazardous and is to be kept away from children (whether the battery is new or used)
- Battery can cause severe or fatal injuries in 2 hours or less if it is swallowed or placed inside any part of the body.
- Medical attention should be sought immediately if it is suspected the battery has been swallowed or placed in any part of the body.
- The supplied remote control has been tested and complies with the requirements of AS/NZS 62368.1: 2018. consumer goods (products containing button/coin batteries) safety standard 2020.
- Do not use recycled water.

SAFETY PRECAUTIONS

WARNING: THIS TOILET DOUCHE MUST BE INSTALLED WITH APPROPRIATE BACKFLOW PROTECTION CONFORMING TO THE NATIONAL CONSTRUCTION CODE - VOLUME 3

INSTALLATION MUST BE IN ACCORDANCE WITH AS/NZS 3500. 2 AND PLUMBING CODE OF AUSTRALIA.

THIS TOILET DOUCHE SEAT IS SUPPLIED WITH DUAL CHECK VALVES AND IT ALSO HAS AN AIR GAP IN THE WATER TANK THAT IS COMPLIANT TO AS2845. 2 - WATER SUPPLY BACKFLOW PREVENTION.

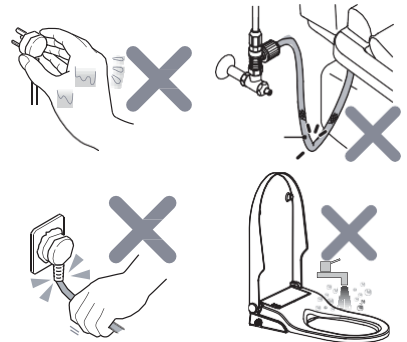
NOTE: LOCAL AUTHORITIES MAY HAVE VARYING REQUIREMENTS. CHECK TO CONFIRM IF A RPZ VALVE IS REQUIRED.

Caroma will not be liable for any loss arising from failure to comply with the following:

1. This product is an “I” type electrical appliance and must be safely connected to the grounding system.
2. This product is an electrical appliance and should not be installed in a location where it can come in contact with splashing water, e.g. close to a shower or a high temperature location.
3. If the power supply cord gets damaged, do not use it until it has been repaired by a qualified electrician.
4. The appliance should be permanently connected to the water supply.
5. The Portable Residual Current Device (PRCD) is supplied as part of the power supply cord and must be reliably fixed.

To avoid the risk of electric shock, short circuit or fire, NEVER perform the following:

1. Do not insert or remove the power plug with wet hands.
2. The power supply must comply with local regulations.
3. Do not turn the product upside down.
4. Do not distort or bend the flexible water inlet hose.



GWA
Bathrooms & Kitchens

Australia
Caroma Industries Ltd
ABN 35 000 189 499

1 Melito Court, Prestons NSW 2170
Customer Care Phone: 13 14 16
www.caroma.com.au
www.methven.com

New Zealand
GWA Group (NZ) Ltd
NZBN 9429040452203

41 Jomac Place, Avondale, New Zealand
Customer Care Phone: 0800 804 222
www.caroma.co.nz
www.methven.co.nz

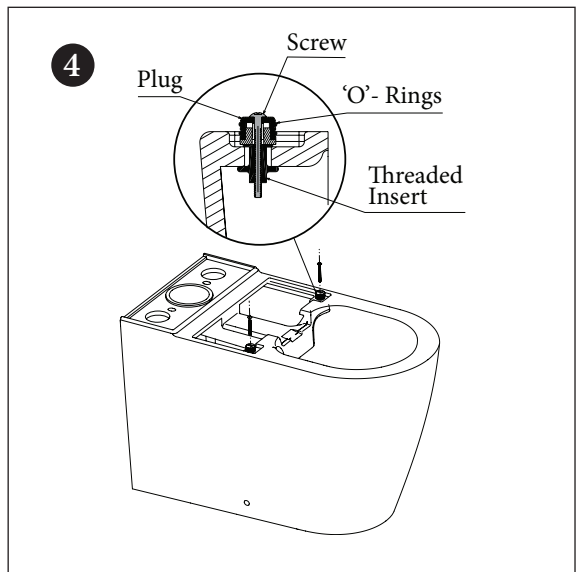
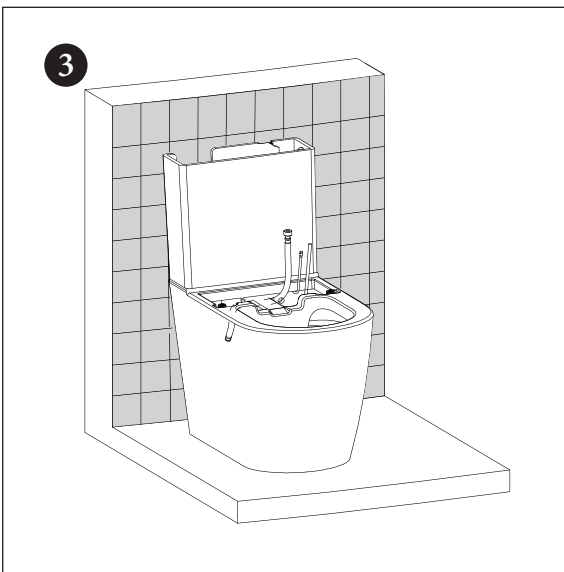
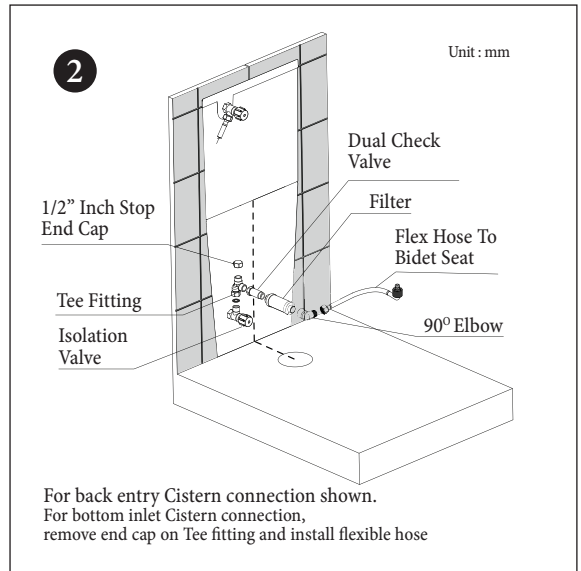
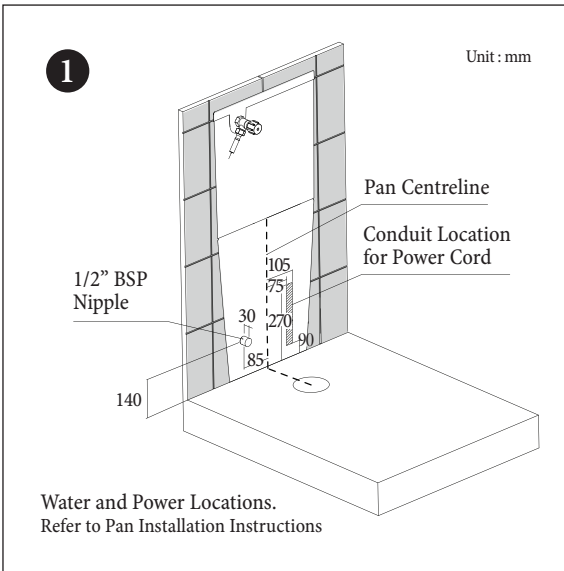
Caution - the bidet and remote control operate with batteries. It has a possibility to interfere with pacemakers, defibrillators or other medical devices which is used for assistance. For safety reasons, it is advised that a certain safe distance is to be always kept between the bidet and the medical device.

Date of Issue: 09/05/2026
Rev No.3

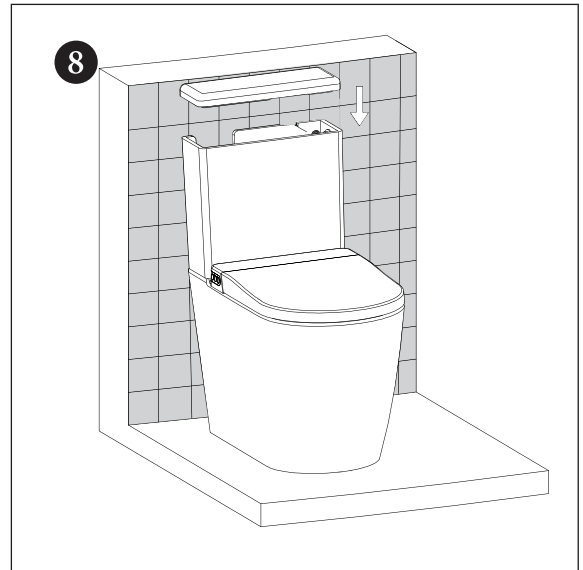
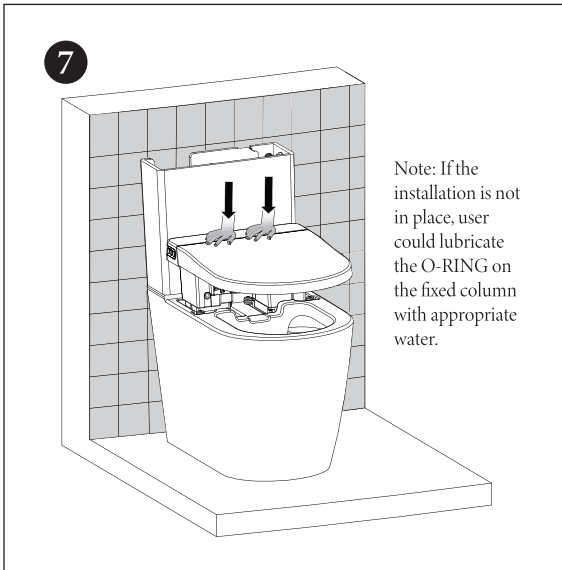
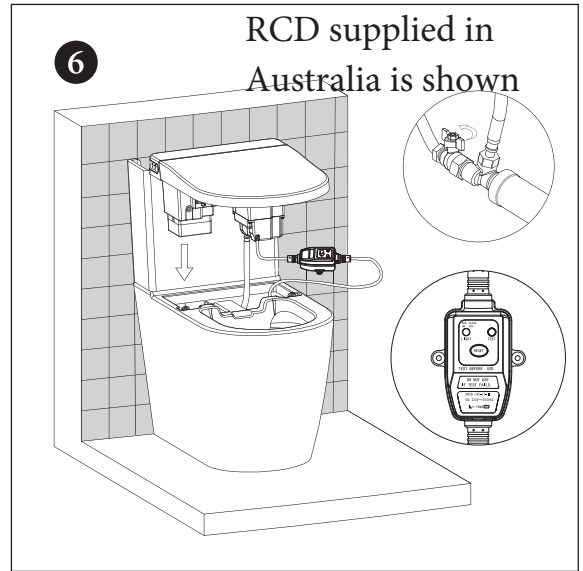
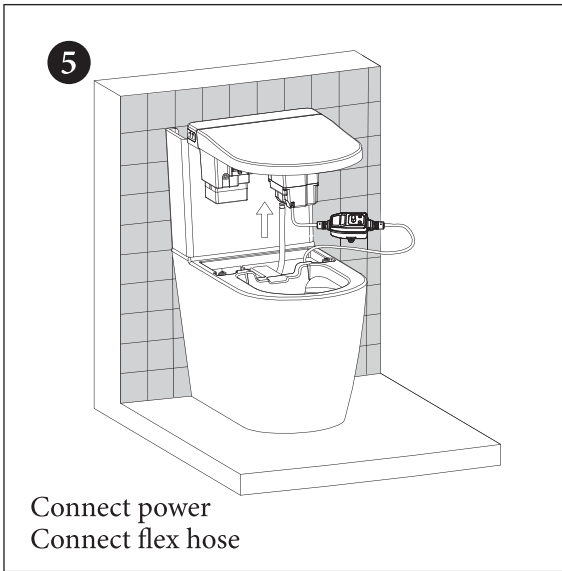
Installation Steps

- Before installation, Make sure the inlet hose is installed and the area is equipped to supply power

These operations should be performed by qualified service personnel

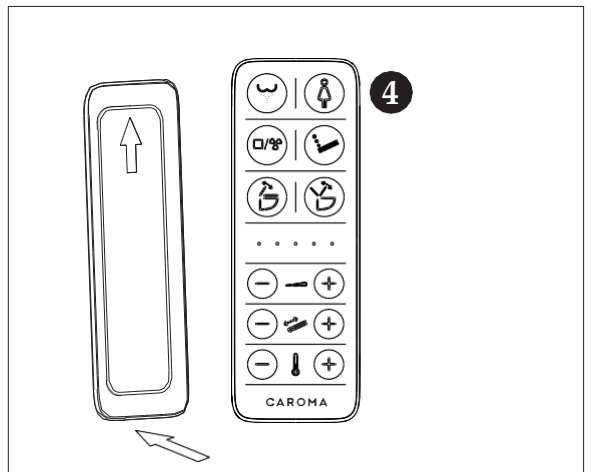
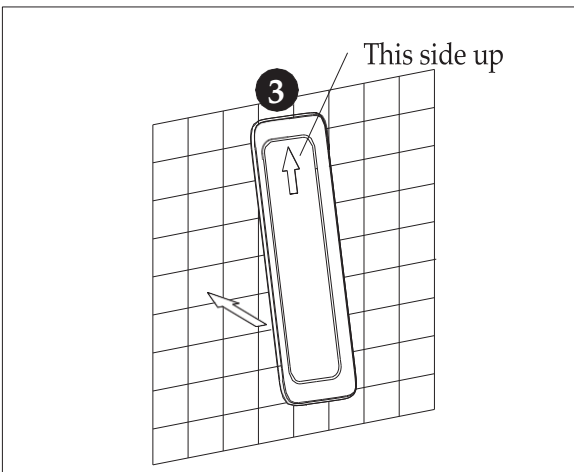
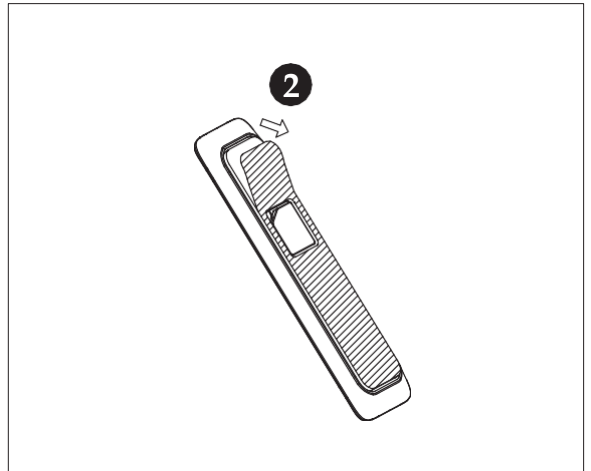
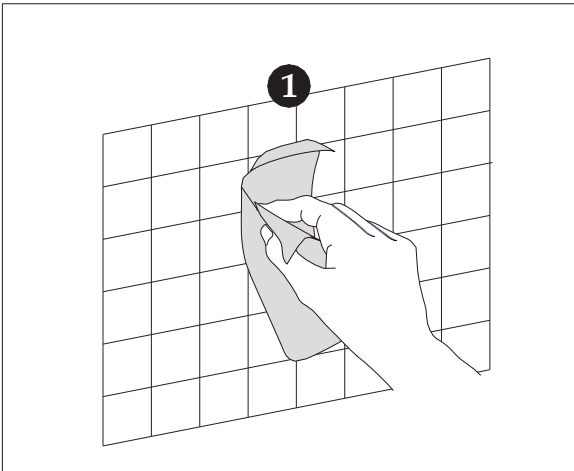
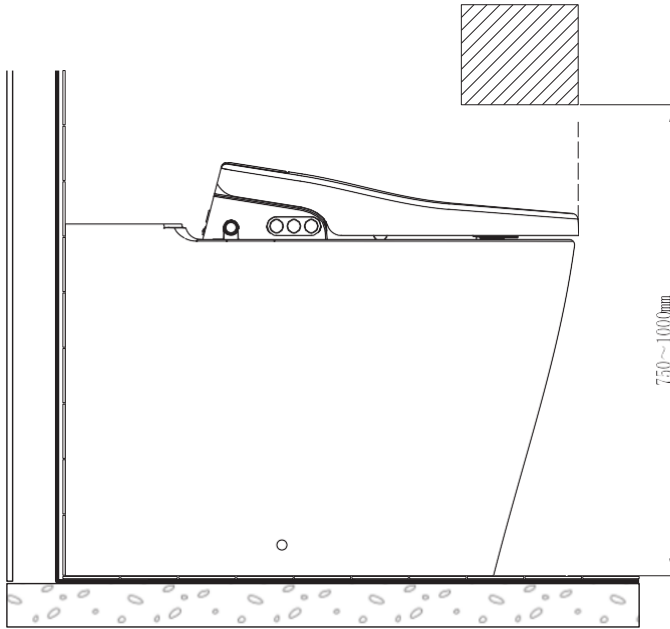


Installation Steps



Install the Remote Control

Recommended Installation Area



CAROMA



GWA
Bathrooms & Kitchens

Australia
Caroma Industries Ltd
ABN 35 000 189 499
1 Melito Court, Prestons NSW 2170
Customer Care Phone: 13 14 16
www.caroma.com.au
www.methven.com

New Zealand
GWA Group (NZ) Ltd
NZBN 9429040452203
41 Jomac Place, Avondale, New Zealand
Customer Care Phone: 0800 804 222
www.caroma.co.nz
www.methven.co.nz

